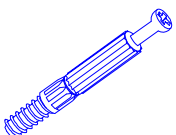
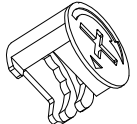
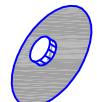

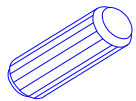
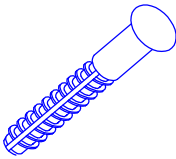
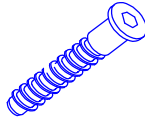
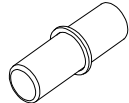
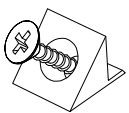

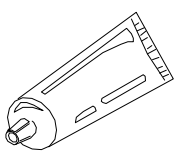
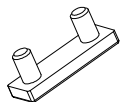



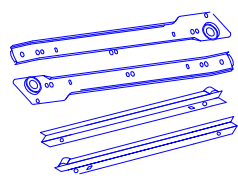
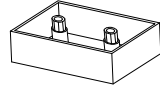
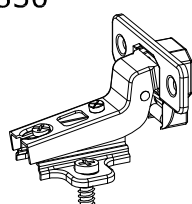
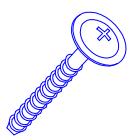

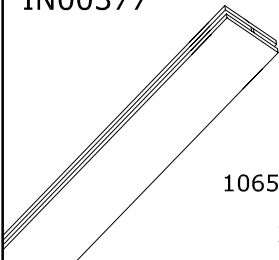
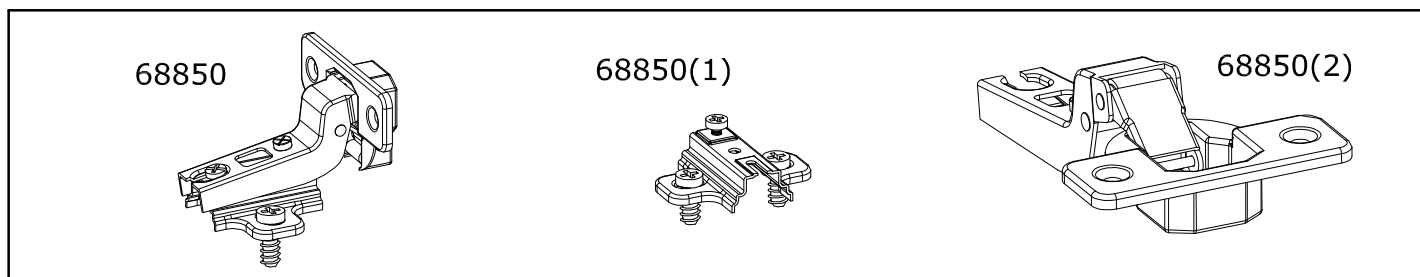
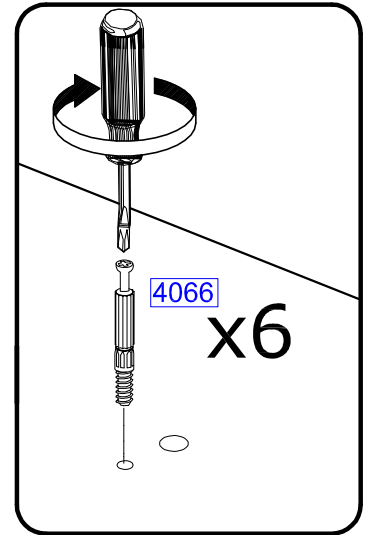
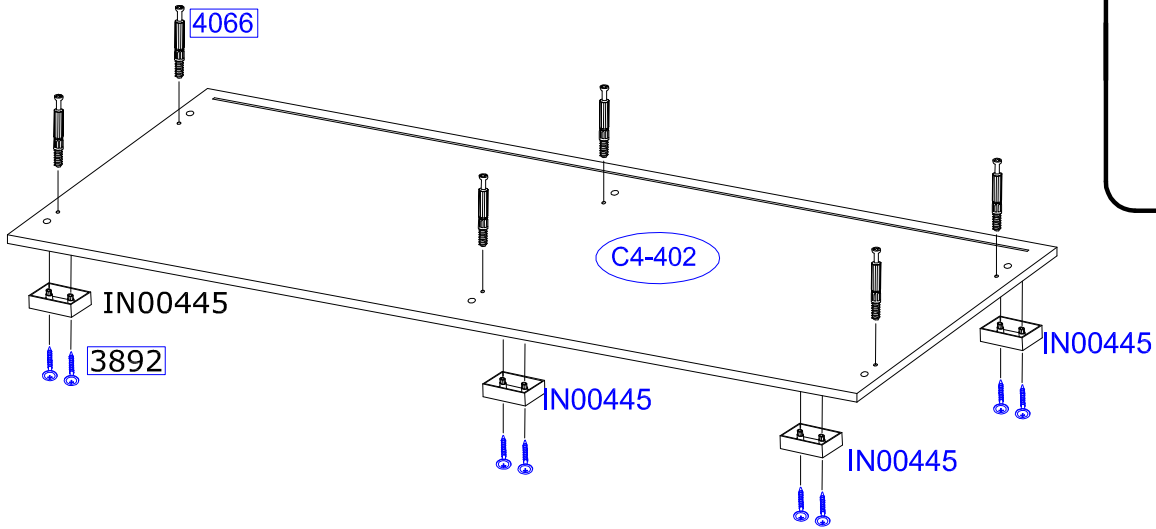


<p>4066</p>  <p>Ø6.5x36.5mm x19</p>	<p>3996</p>  <p>Ø15x12 mm x19</p>	<p>136236</p>  <p>Ø20 x19</p>	<p>4108</p>  <p>Ø10 x4</p>
<p>3989</p>  <p>Ø8x30mm x26</p>	<p>IN01157</p>  <p>x4</p>	<p>3884</p>  <p>x4</p>	<p>4017</p>  <p>Ø5x16 mm G-8</p>
<p>4044</p>  <p>15x14x11 mm x14</p>	<p>3918</p>  <p>Ø3,5X16 mm x8</p>	<p>3983</p>  <p>10 g x1</p>	<p>4057</p>  <p>48x16x19.5 mm x2</p>
<p>3892</p>  <p>Ø4,0x25 mm x10</p>	<p>3877</p>  <p>Ø6,0X13 mm x4</p>	<p>3984</p>  <p>4 mm x1</p>	<p>3804</p>  <p>L-350 PR-0B-350-10 PR-1</p>
<p>IN00445</p>  <p>x5</p>	<p>68850</p>  <p>Ø35 mm , KR15 x2</p>	<p>145556</p>  <p>Ø4.0X25 mm x4</p>	<p>IN01550</p>  <p>x2</p>
<p>IN00377</p>  <p>1065 mm x1</p>			



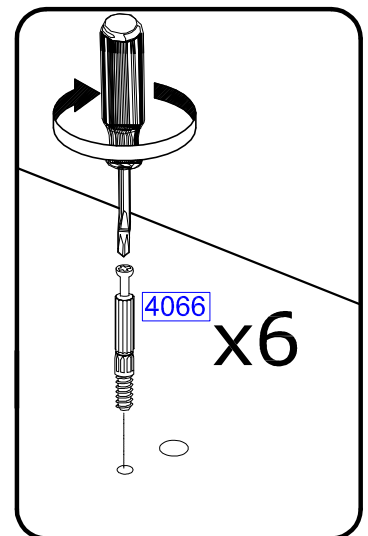
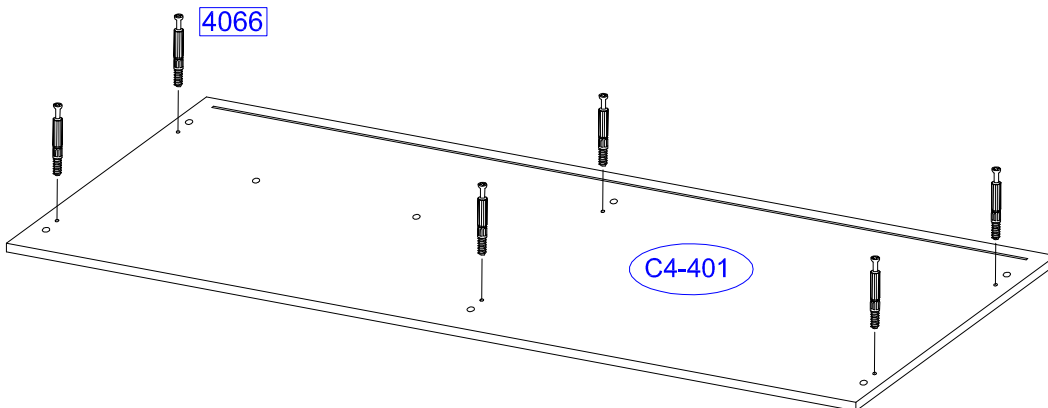
# 1

 <p>4066 x6</p>	 <p>IN00445 x5</p>	 <p>3892 x10</p>		 <p>⊕ PH2</p>
---	--	--	--	---



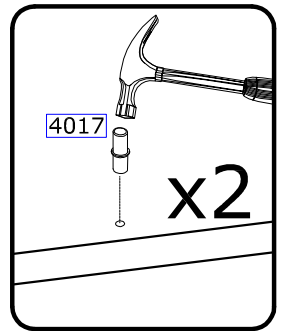
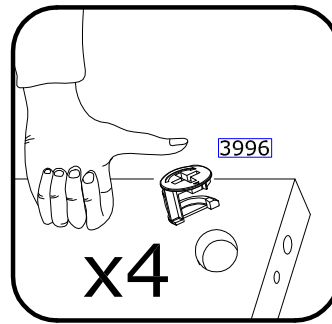
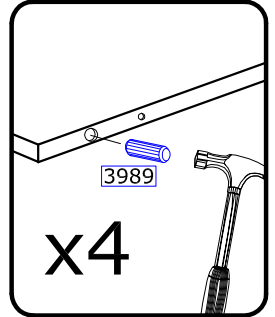
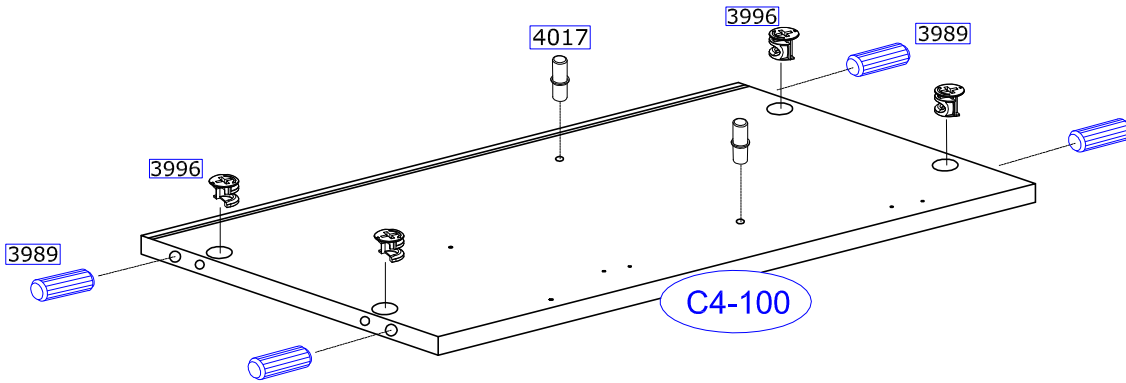
# 2

 <p>4066 x6</p>		 <p>⊕ PH2</p>
--	--	--



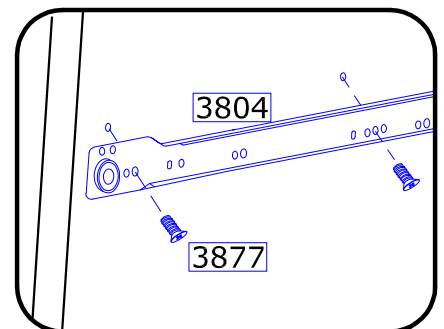
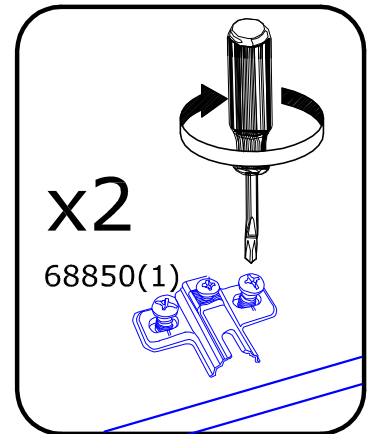
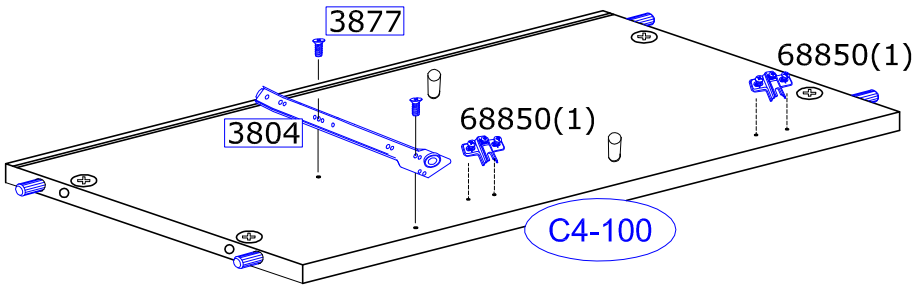
# 3

3989  x4	3996  x4	4017  x2		
--	--	--	--	--



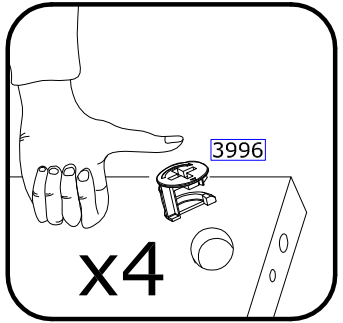
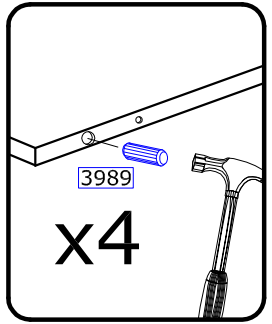
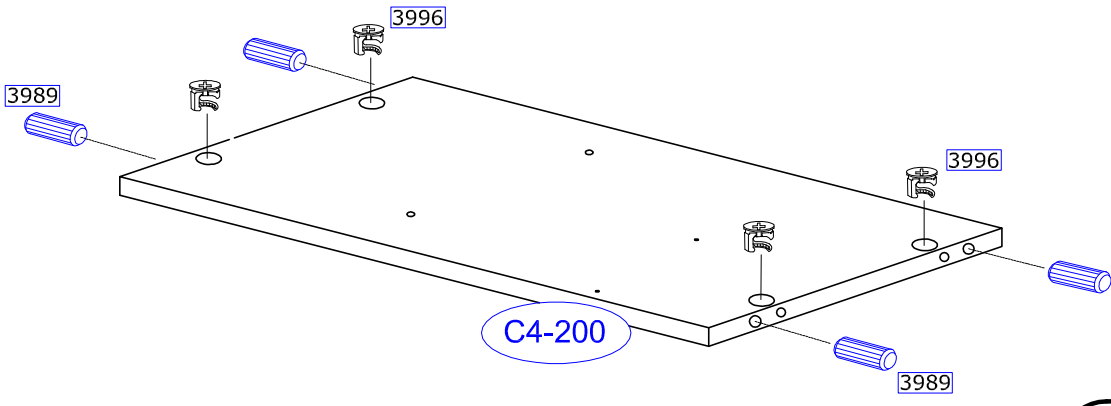
# 4

3804  x1	3877  x2	68850(1)  x2		
---	---	---	--	---



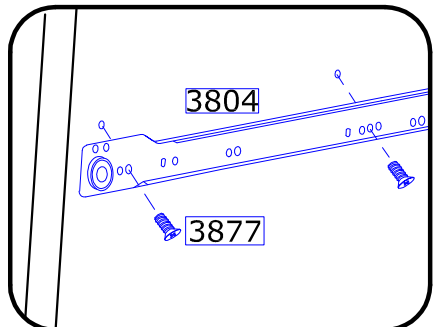
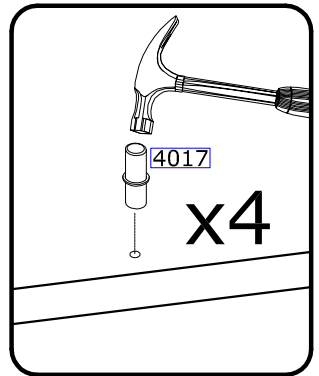
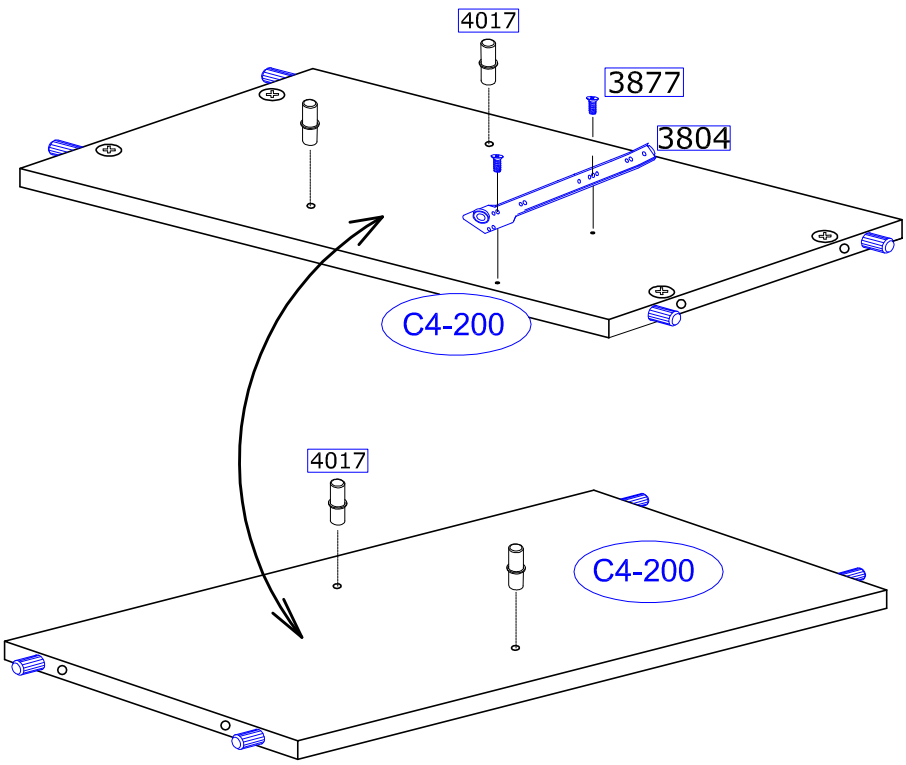
# 5

 <p>3989 x4</p>	 <p>3996 x4</p>		
---	---	--	--



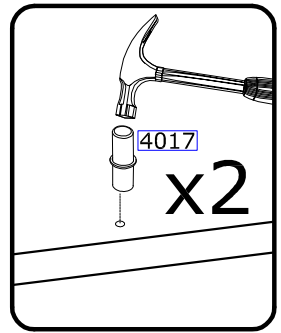
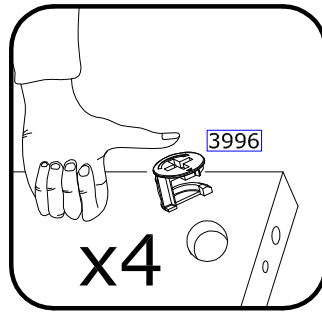
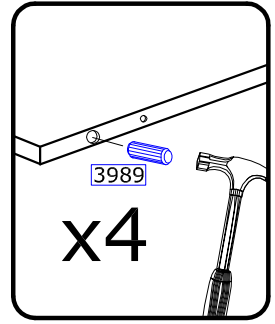
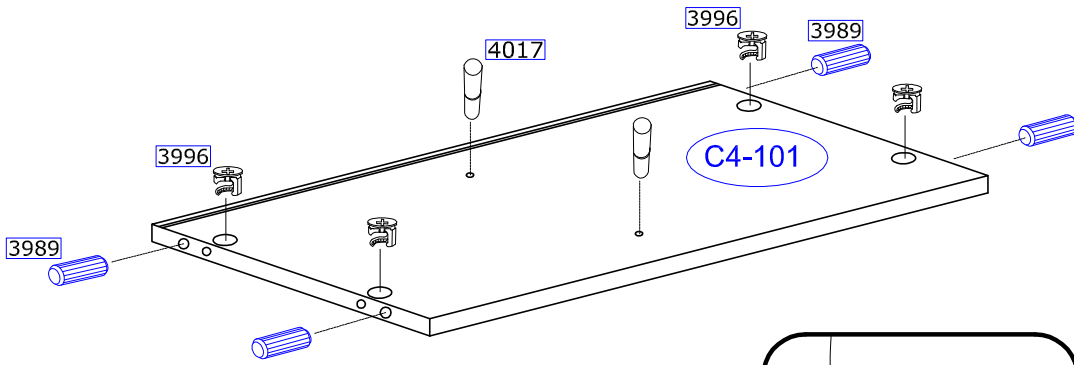
# 6

 <p>3804 x1</p>	 <p>3877 x2</p>	 <p>4017 x4</p>		 <p>⊕ PH2</p>
--	--	--	--	--



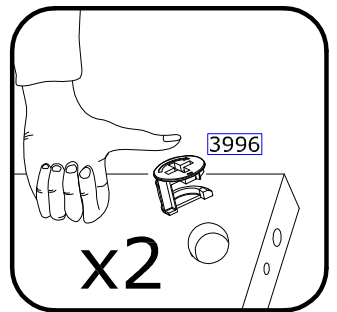
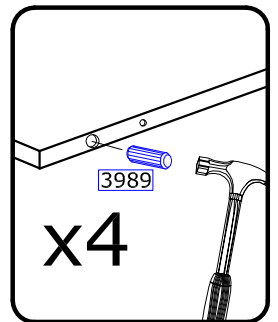
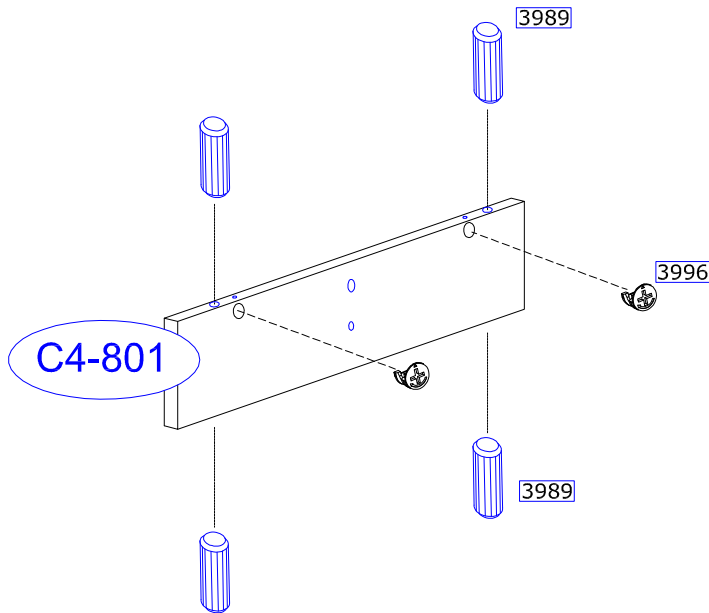
# 7

 4017 x2	 3996 x4	 3989 x4	
--	--	--	--



# 8

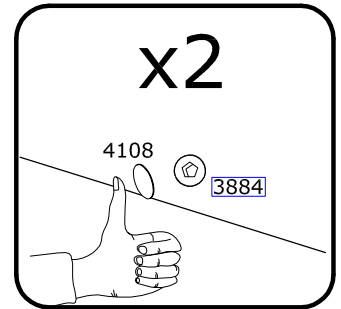
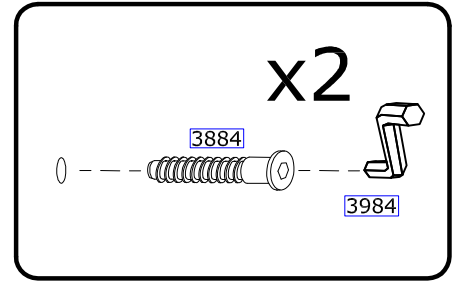
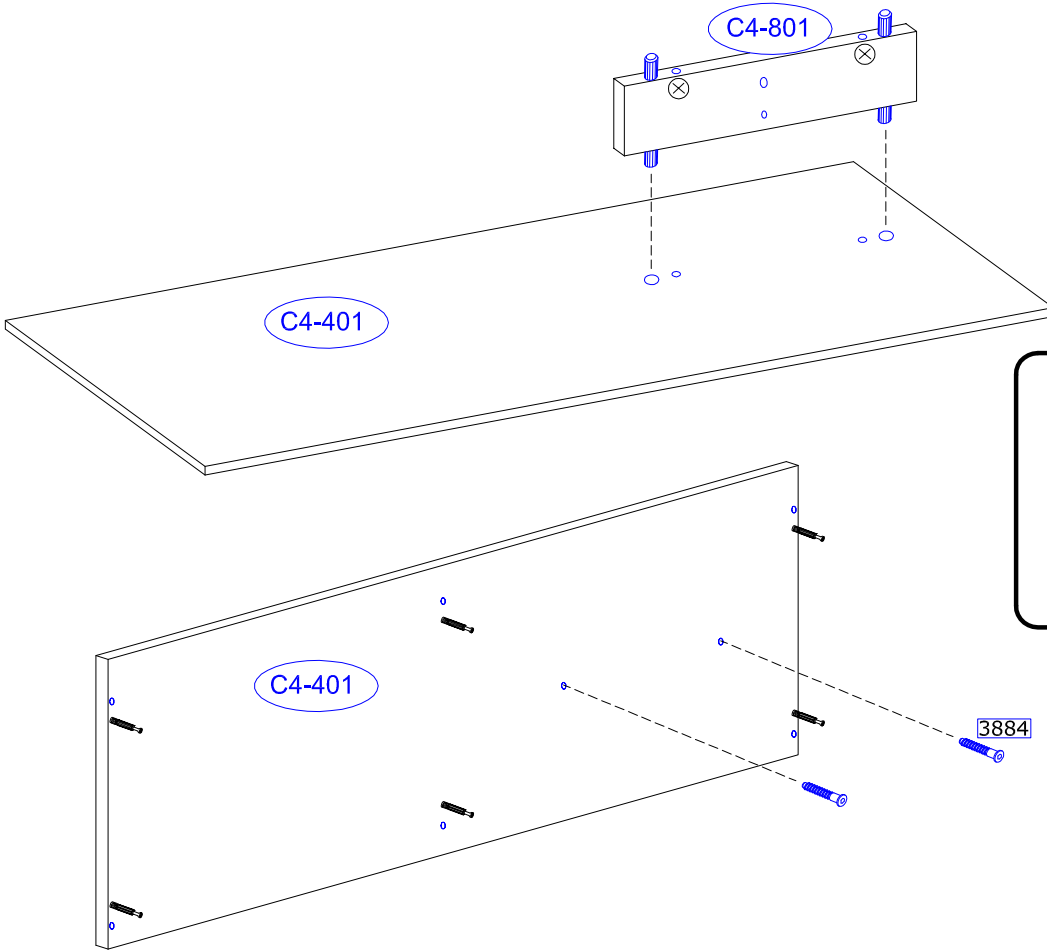
 3996 x2	 3989 x4		
---	---	--	---





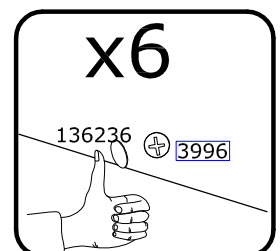
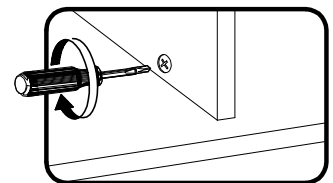
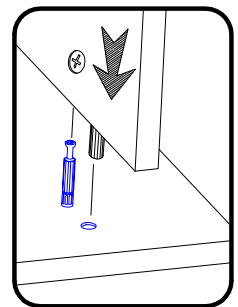
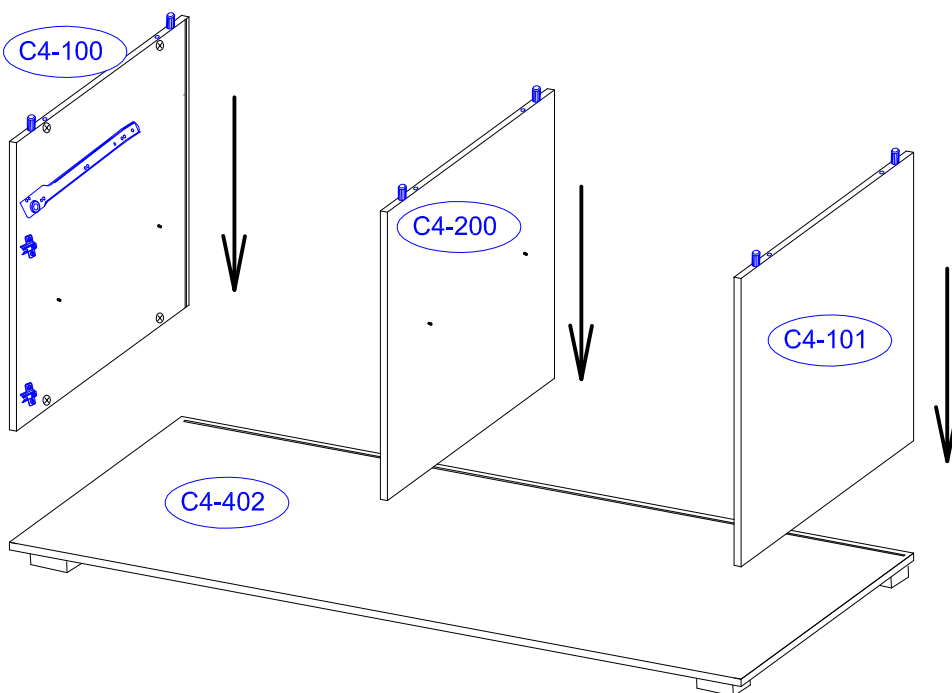
# 9

3884  x2	4108  x2	3884  x1		
--	--	--	--	--

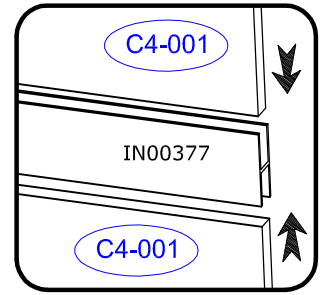
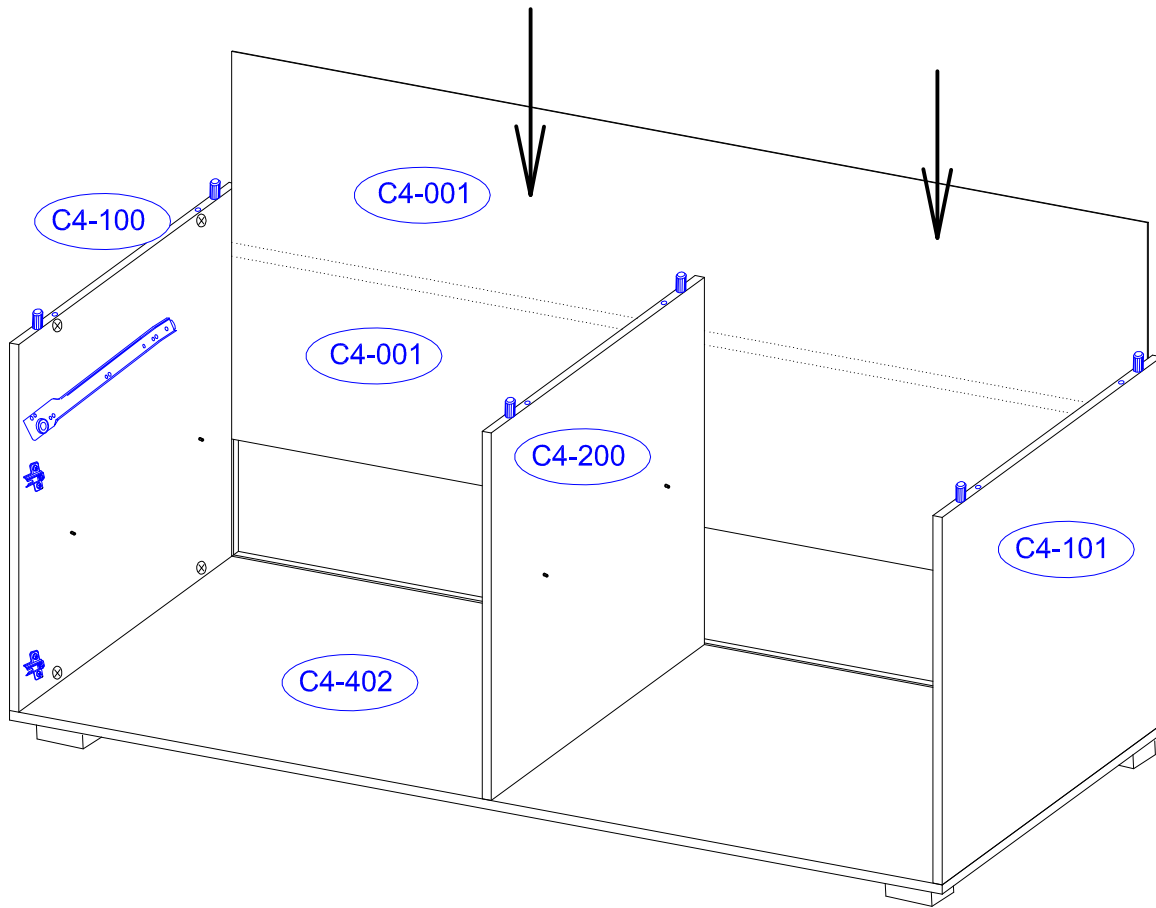
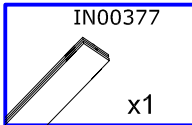


# 10

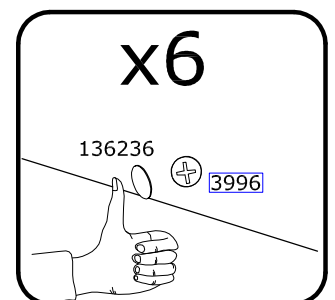
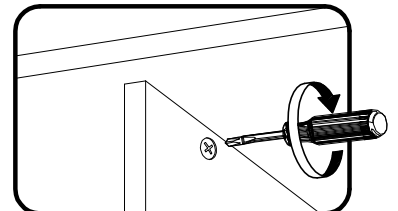
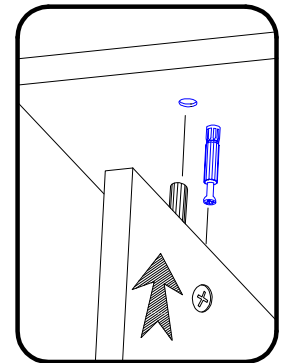
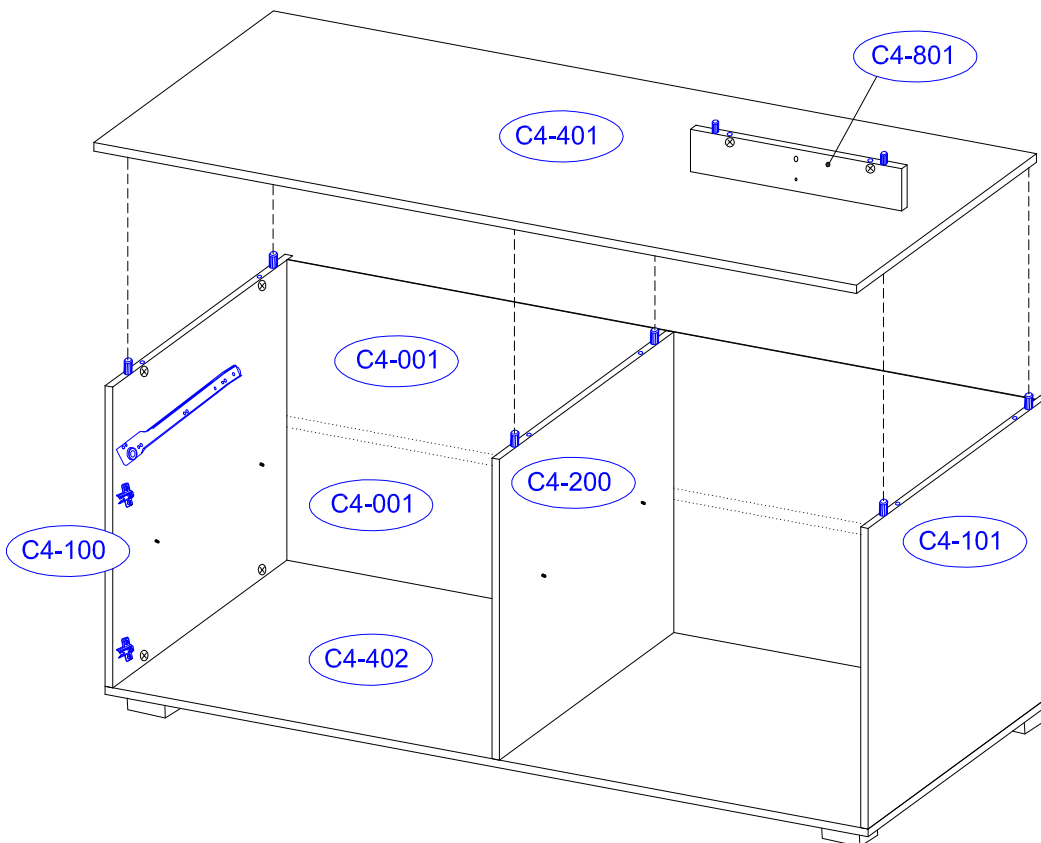
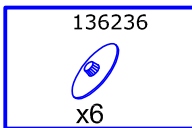
136236  x6			⊕ PH2 
---	--	--	--



# 11

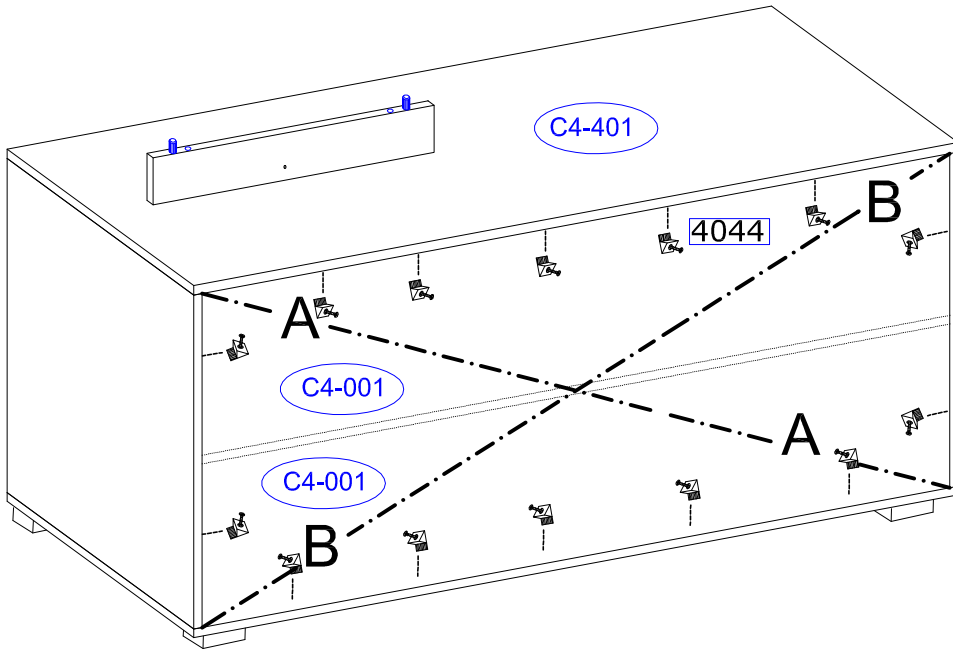


# 12

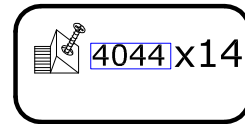
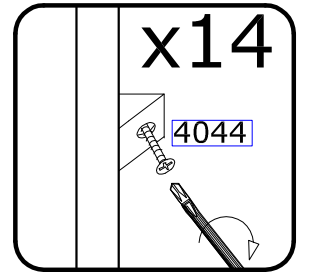
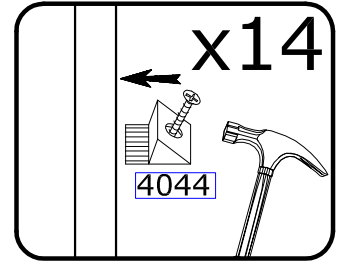
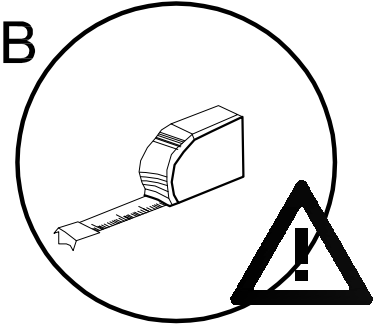


# 13

4044  x14		 ⊕ PH2
---	--	--

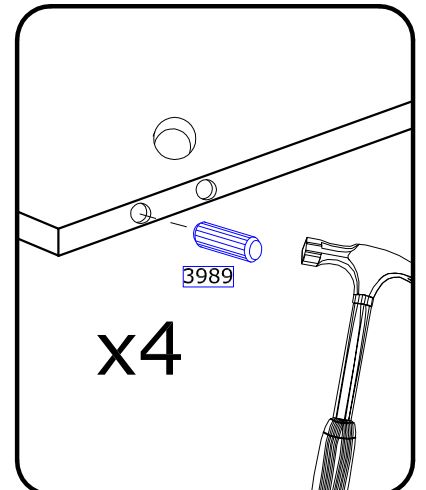
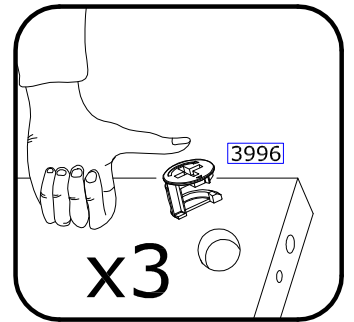
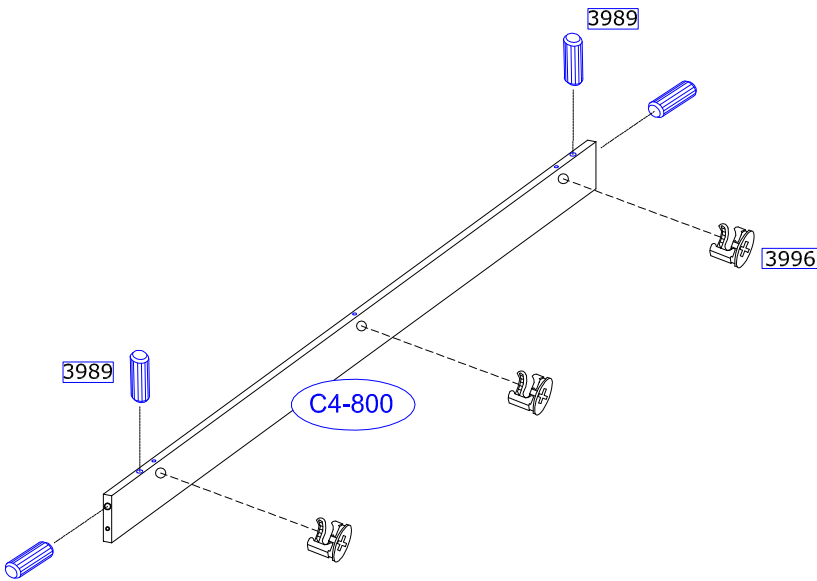


A=B


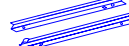





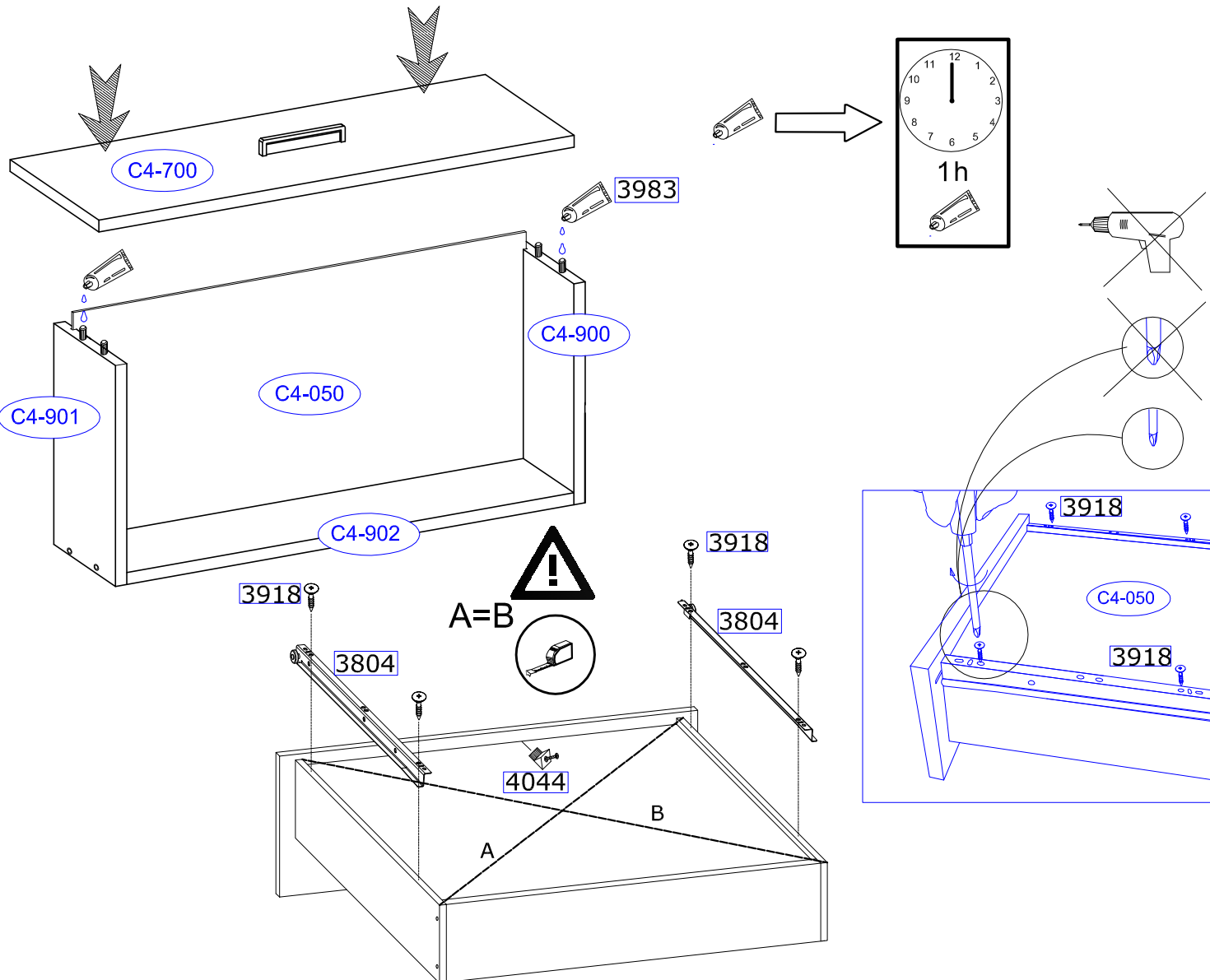
# 14

3989  x4	3996  x3		
---	---	--	---





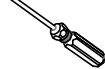


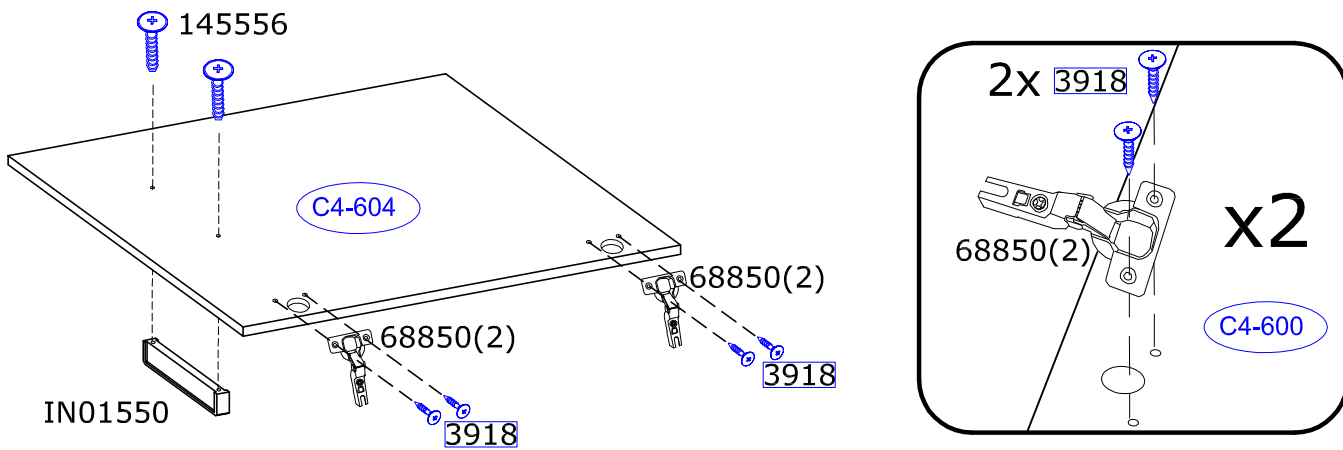
# 21

3804  x4	3804  x1	3983  x1	4044  x1		$\oplus$ PH2 
--	--	--	--	--	--

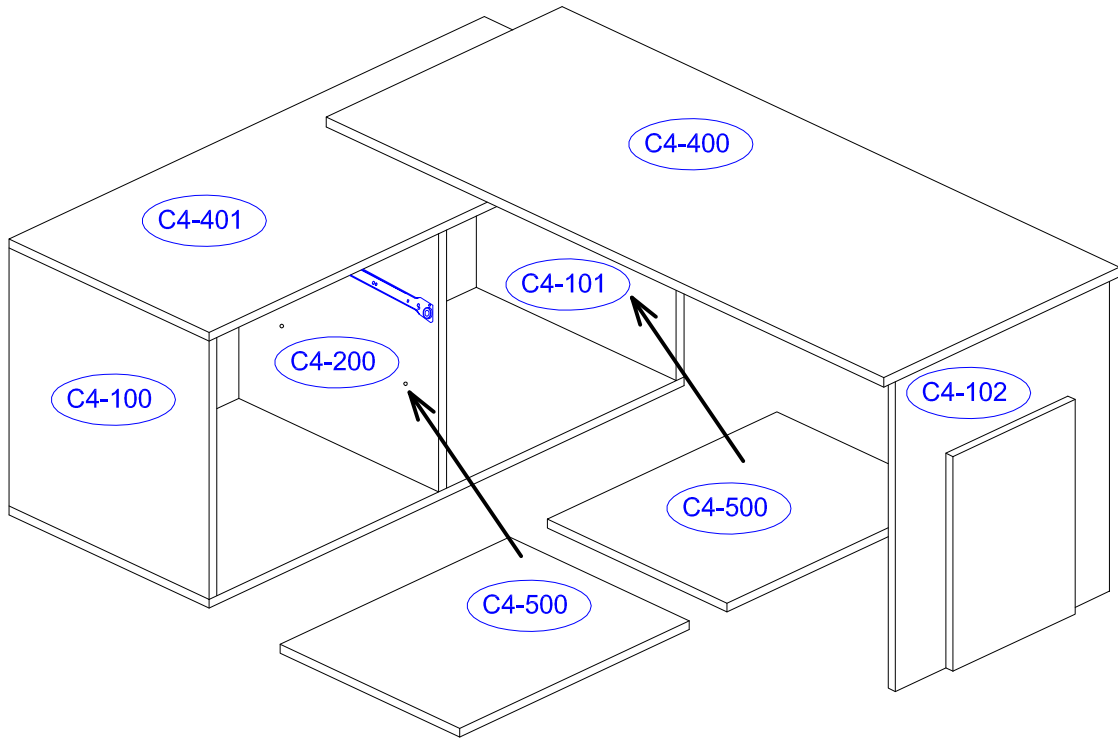


# 22

IN01550  x1	145556  x2	3918  x4	68850(2)  x2		$\oplus$ PH2 
--	---	---	---	--	---



# 23



# 24

